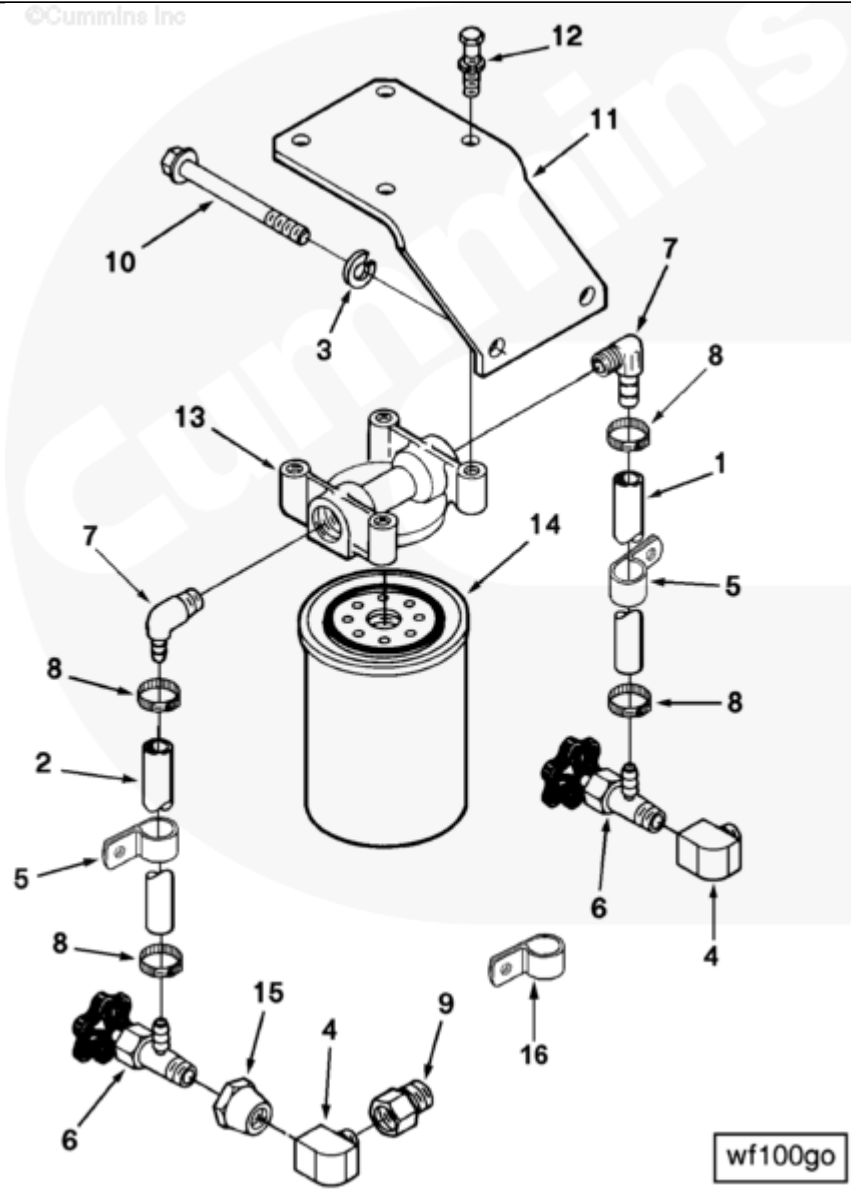




## Parts Catalog - Option Detail

Electronic Parts Catalog - Option Detail				
Option	Group	Graphic	Film Card	Date
WF1062	08.08	wf100go	F	20-JAN-99
<b>Engines</b>	NH/NT 855, NT495, NT743, NTA855 N106			



wf100go

[SMALL](#) | [MEDIUM](#) | [LARGE](#)

Cart	Ref No	Part Number	Part Description	Required	Remarks
<input type="button" value="View My Cart"/>					
		<a href="#">WF1062</a>	Corrosion Resistor		

					Corrosion Resistor
					Spin on corrosion resistor
					mounted on bracket located at
					front port of water cooled
					exhaust manifold and plumbed.
					Mounting code 1401. For
					Brazil use MP22250 in place
					of 3013143.
<input type="checkbox"/>	1	<a href="#">179924</a>	Plain Hose	1	
<input type="checkbox"/>	2	<a href="#">179934</a>	Plain Hose	1	
<input type="checkbox"/>	3	<a href="#">S 610</a>	Lock Washer	2	7/16 in.
<input type="checkbox"/>	4	<a href="#">70470</a>	Plain Street Pipe Elbow	1	
<input type="checkbox"/>	5	<a href="#">152767</a>	Clip	2	
<input type="checkbox"/>	6	<a href="#">179901</a>	Shut-Off Valve	2	
<input type="checkbox"/>	7	<a href="#">179903</a>	Elbow Hose Coupling	2	
<input type="checkbox"/>	8	<a href="#">179904</a>	Hose Clamp	4	3/8 - 7/8 in.
<input type="checkbox"/>	9	<a href="#">187317</a>	Plain Adapter	1	
<input type="checkbox"/>	10	<a href="#">190799</a>	Hexagon Head Cap Screw	2	7/16 - 14 x 4 3/4 inch
<input type="checkbox"/>	11	<a href="#">3010360</a>	Corrosion Resistor Bracket	1	
<input type="checkbox"/>	12	<a href="#">3010596</a>	Captive Washer Cap Screw	4	3/8 - 16 x 1 1/4 in.
<input type="checkbox"/>		<a href="#">3827107</a>	Corrosion Resistor	1	
<input type="checkbox"/>	13	<a href="#">204163</a>	Corrosion Resistor Head	1	
<input type="checkbox"/>	14	<a href="#">3318319</a>	Corrosion Resistor	1	
<input type="checkbox"/>	15	<a href="#">3820760</a>	Reducing Pipe Adapter	1	
<input type="checkbox"/>	16	<a href="#">69911 A</a>	Clip	1	